
Project Location	Birch Park	06/01/2021
	by Dustin Huguen in Member District ADA Project Request	id. 20460105
	dhugen@heparks.org	

Original submission 06/01/2021

Name	Dustin Huguen
Job Title	Director of Parks, Planning & Maintenance
E-mail Address	dhugen@heparks.org
Phone Number	847-285-5465
Park District	Hoffman Estates
Project Status	New Alteration Addition
Project Type	Recreation Facilities and Amenities Routes and Surfaces
Recreation Facilities and Amenities- select a Project Category below:	Benches- Picnic Tables Playgrounds- Play Components
Routes and Surfaces- select a Project Category below:	Parking Spots Sidewalks
Benefits of the Project	Parcel A of Hoffman Estates Park District is located between Golf and Higgins Road in Hoffman Estates with no easy access to any other parks in Hoffman Estates. Parcel A has no sidewalks and this project is going to provide the community with 1/3 mile walking path, basketball(other games) court, shelter with picnic tables, new playground, sports field and sled hill.
Items that will become ADA Compliant	Currently an open field will have ADA complaint 1/3 mile walking loop, parking lot, picnic shelter with tables, benches along path and new playground.

The project is designed or constructed, or applies human resources, to comply with:

**The 2010 Standards for Accessible Design
The Illinois Accessibility Code
ASTM F 1951 Standard for Accessible Playground Surfaces**

Upload Project Related Files, Photos, Videos or Audio

[129-138022-1A_CP_BirchPark.jpg](#)

[129-138022-1B_CP_BirchPark.jpg](#)

[Birch_Picnic_Tables.docx](#)

[88_SERIES_PL_2.pdf](#)

[Birch_Poster.docx](#)

Budget Table for ADA Related Expenses

[c8734072-ae83-47cd-a77f-f5517dc6372f.xlsx](#)

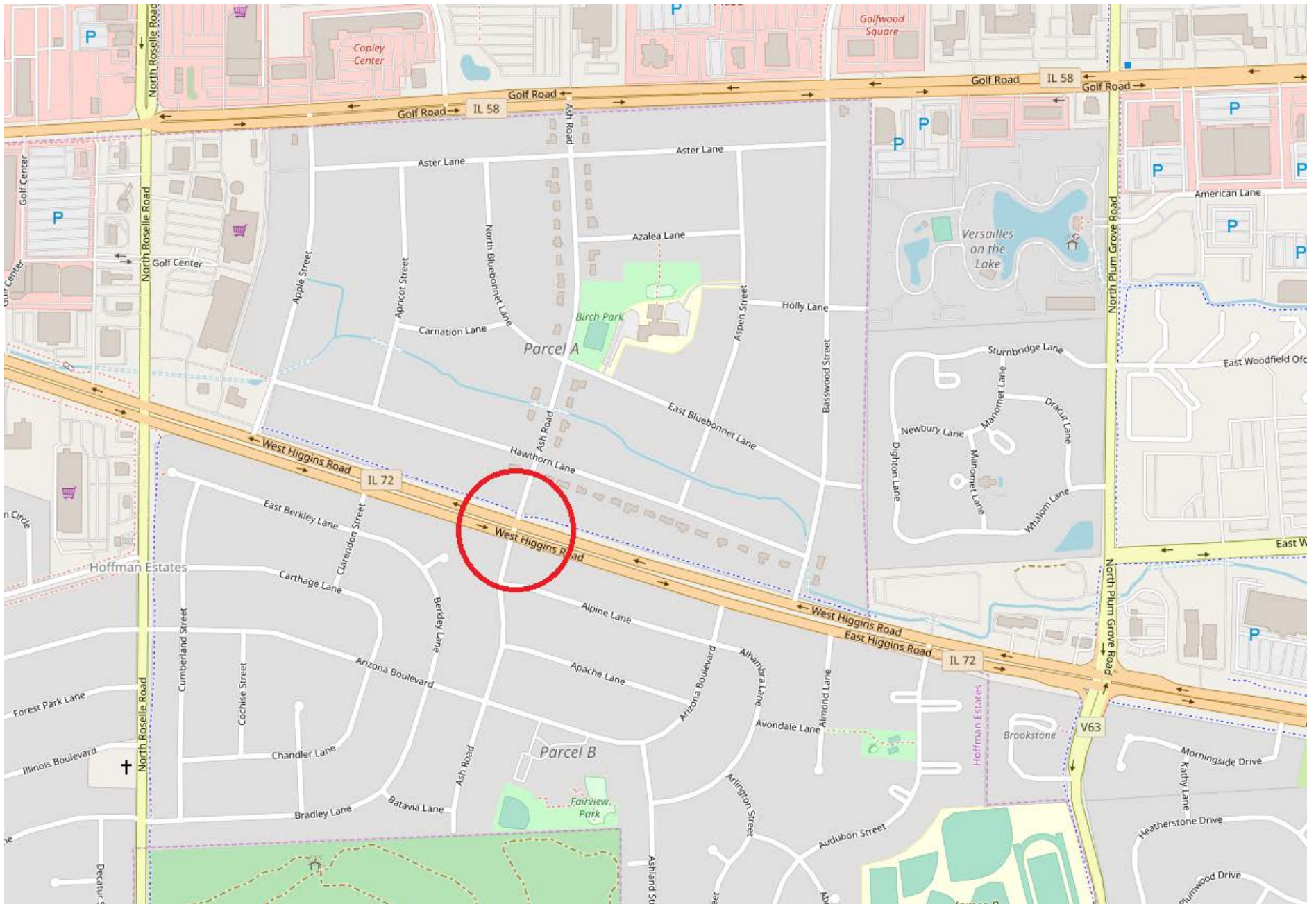
ADA Dollars
Requested

99675.4

Notes related to
requested amount

Total Project cost is \$450,000 as not all items pertained to ADA compliance on the project.





No Sidewalks in the neighborhood, and birch is the only park in the neighborhood.





APEX ROPE CLIMBER



TRANGO CLIMBER



RAIN WHEEL PANEL



ACORN PANEL



PETAL STEP CLIMBER



CLOCK PANEL



APEX ELLIPSE CLIMBER

COLOR KEY

- AQUA
- BLACK
- ORANGE
- REDWOOD
- GRAY
- B ORANGE/BLACK
- B GRAY/BLACK



PLAY
ILLINOIS
PARK & PLAYGROUND SOLUTIONS



AIRVENTURE® GLIDER



VELO™ SLIDE



APEX WAVE



BETA CLIMBER



MONACO SLIDE

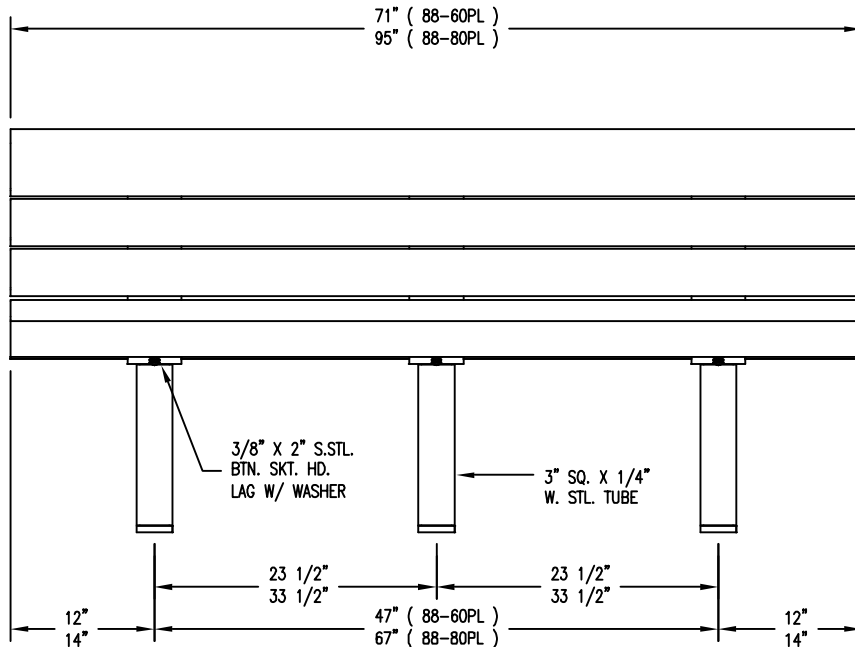
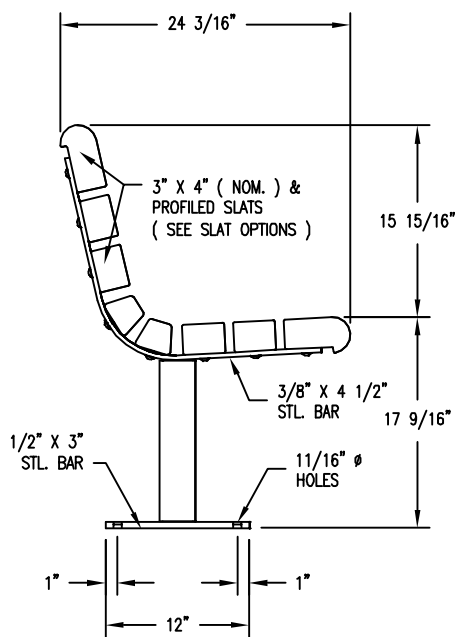


PONY ROCKER

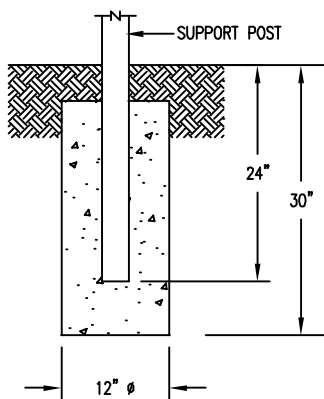


EVOLUTION® CLIMBER

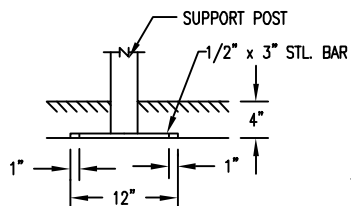
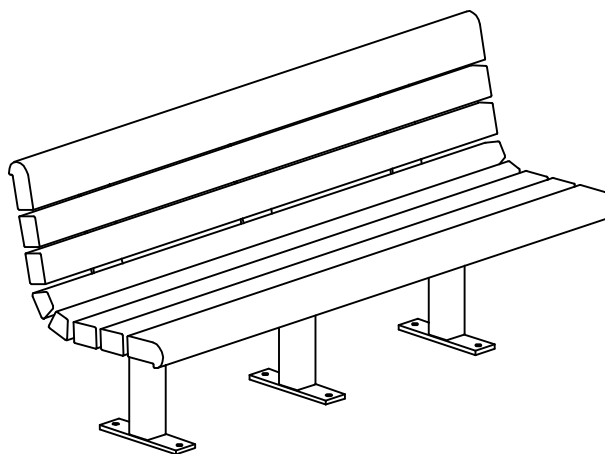




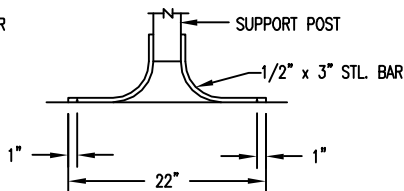
S-2 SURFACE



S-1 EMBEDMENT



S-4 SUB FLOOR



S-3 GULL WING

LENGTH OPTIONS

- 6' BENCH
- 8' BENCH

SLAT OPTIONS

- "CEDAR" RECYCLED PLASTIC
- "GREY" RECYCLED PLASTIC
- "REDWOOD" RECYCLED PLASTIC
- "WALNUT" RECYCLED PLASTIC
- OTHER _____

NOTES

- 1.) ALL STL. MEMBERS COATED W/ ZINC RICH EPOXY THEN FINISHED W/ POLYESTER POWDER COATING.
- 2.) 1/2" X 3 3/4" EXPANSION ANCHOR BOLT PROVIDED FOR S-2, S-3 & S-4 OPTIONS.



DuMor, inc.

P.O. Box 142 Mifflintown, PA 17059-0142

SCALE : NONE

DATE DRAWN : 7/31/95

DRAWN BY : AH

DATE REV. : 10/25/11

REV. BY : RDH

TITLE :

BENCH

REV.

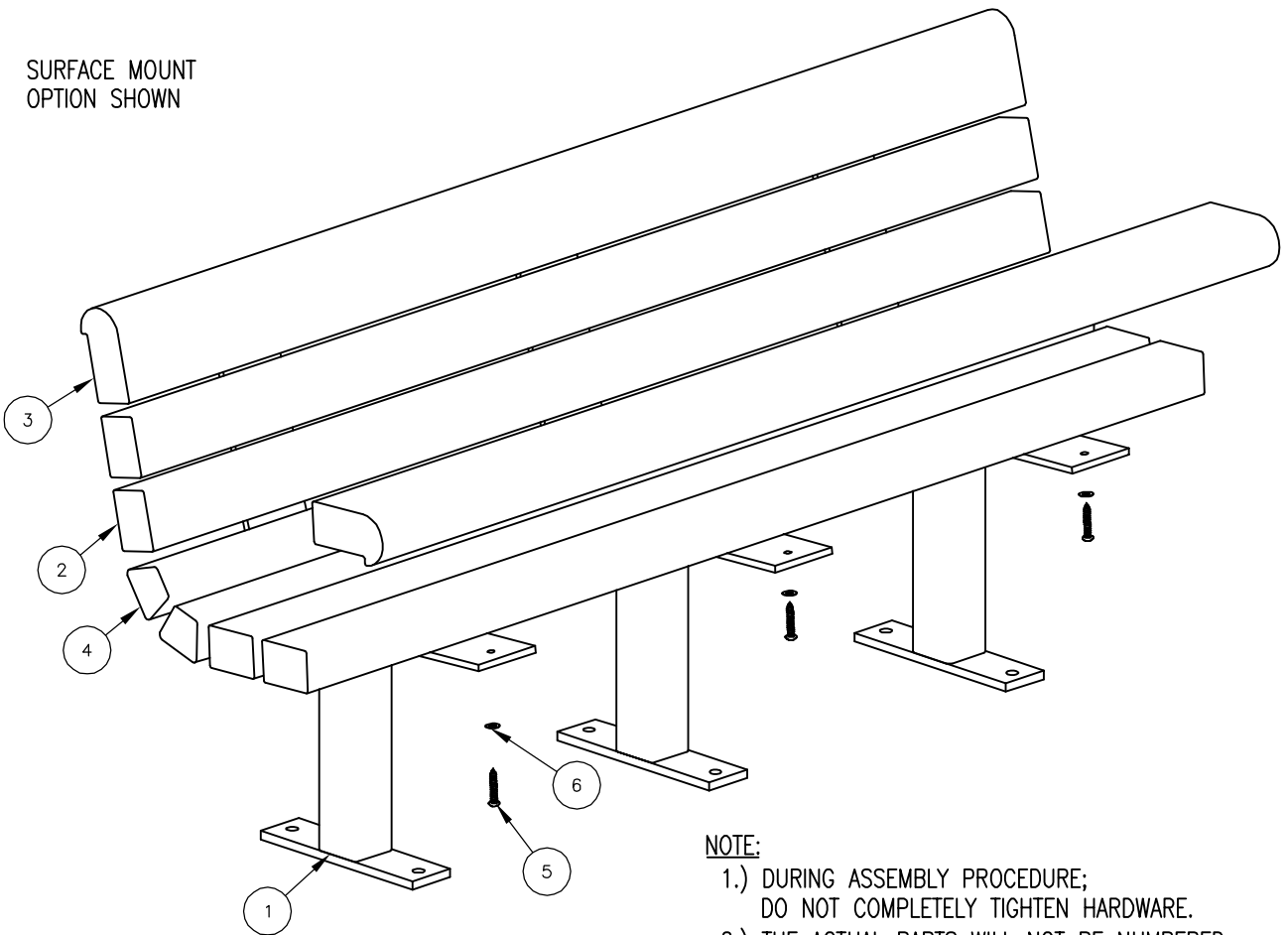
DRAWING NUMBER

D

88 SERIES PL

SHEET
1 OF 2

SURFACE MOUNT
OPTION SHOWN



NOTE:

- 1.) DURING ASSEMBLY PROCEDURE;
DO NOT COMPLETELY TIGHTEN HARDWARE.
- 2.) THE ACTUAL PARTS WILL NOT BE NUMBERED:
NUMBERS ONLY APPLY TO DRAWING.
- 3.) SEE SPEC. SHEET 1 FOR MOUNTING OPTION.

STEP 1:

- USE 3 - PCS. SUPPORT FOR SURFACE MOUNT (1)
- 4 - PCS. 3" X 4" X 71" PLASTIC INT'R SLAT (2)
- 2 - PCS. 71" PLASTIC EDGE SLAT (3)
- 2 - PCS. 71" PLASTIC TRAP SLAT (4)
- 24 - PCS. 3/8" X 2" SS. BTN. SKT. HD. LAG SCR. (5)
- 24 - PCS. 3/8" SS. FLAT WASHER (6)

ATTACH SLATS (2, 3, & 4) TO SUPPORT FOR SURFACE MOUNT (1) USING HARDWARE (5 & 6). TIGHTEN TO SNUG FIT.
REPEAT UNTIL ALL SLATS ARE ATTACHED.

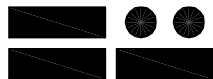
STEP 2:

UPON COMPLETION OF BENCH ASSEMBLY SQUARE ALL COMPONENTS THEN TIGHTEN ALL HARDWARE.

STEP 3:

ANCHOR ACCORDING TO SUPPORT OPTION USED.

ITEM	QTY	PART NO	DESCRIPTION
1	3	0-88-00-01/S-2	BENCH SUPPORT FOR SURFACE MOUNT
2	4	0-88-60PL-02	3" X 4" X 71" PLASTIC INT'R SLAT
3	2	0-88-60PL-03	71" PLASTIC EDGE SLAT
4	2	0-88-60PL-04	71" PLASTIC TRAP SLAT
5	24	1-13-016	3/8" X 2" SS BTN SKT HD LAG SCR
6	24	1-22-024	3/8" SS FLAT WASHER



DuMor, inc.

P.O. Box 142 Mifflintown, PA 17059-0142

SCALE : NONE
DATE DRAWN : 7/31/95
DRAWN BY : AH
DATE REV. : 10/25/11
REV. BY : RDH

TITLE : BENCH ASSEMBLY

REV. D

DRAWING NUMBER

88 SERIES PL

SHEET 2 OF 2

